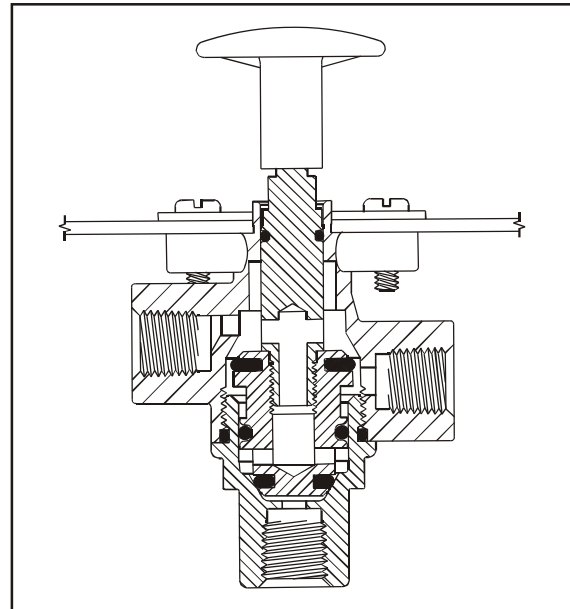
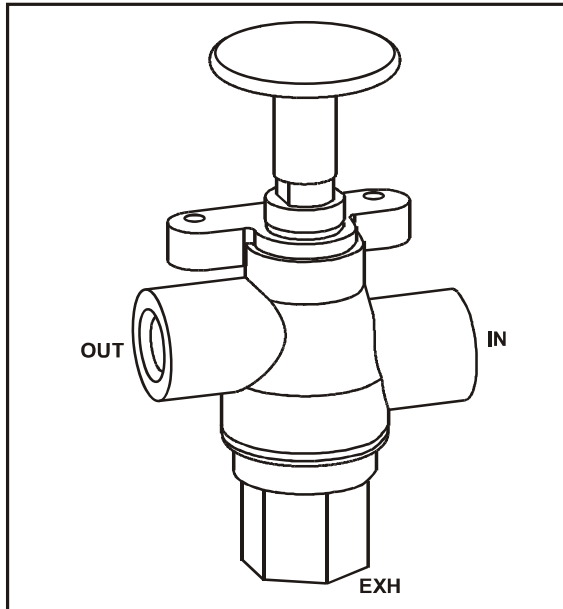


# HAND CONTROL VALVES

## Manual Push - Pull Valves (Two Hole Mounting)



**INFORMATION:** • Commonly used as dash valve inside tractor or truck except 17600B which is used outside on dollies & trailers

- Piping examples on page 73
- \* Utilizes long shaft
- **REPAIR KIT 176-5**



PLATE 817

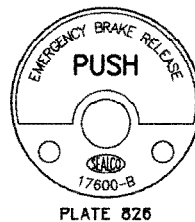


PLATE 826

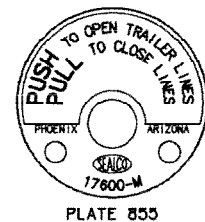
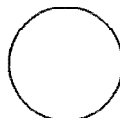


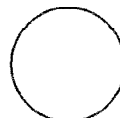
PLATE 855



KNOB 13 (BLACK PLASTIC)



KNOB 13-1 (BLACK PLASTIC)



KNOB 0190 (BLACK METAL)



KNOB 9008 (BLACK PLASTIC)

PART NUMBER	NAME PLATE	KNOB	PORT SIZES (NPT)			COMMENTS
			Inlet	Outlet	Exhaust	
17600	817	13	1/4"	1/4"	1/4"	Cab Control
17600B	826	13	1/4"	1/4"	1/4"	Dolly & Trailer Park Brake Release
17600B-2	-	-	1/4"	1/4"	1/4"	Basic Valve
17600M *	855	13	1/4"	1/4"	1/4"	Use w/ 7700 for Breakaway Conversions
110114	-	9008	1/4"	1/4"	1/4"	Park Brake Release
110274	826	0190	1/4"	1/4"	1/4"	Park Brake Release
110284	-	13	1/4"	1/4"	1/4"	Park Brake Release
110514	817	0190	1/4"	1/4"	1/4"	Cab Control
110644	-	13-1	1/4"	1/4"	1/4"	Contains screws but no plate