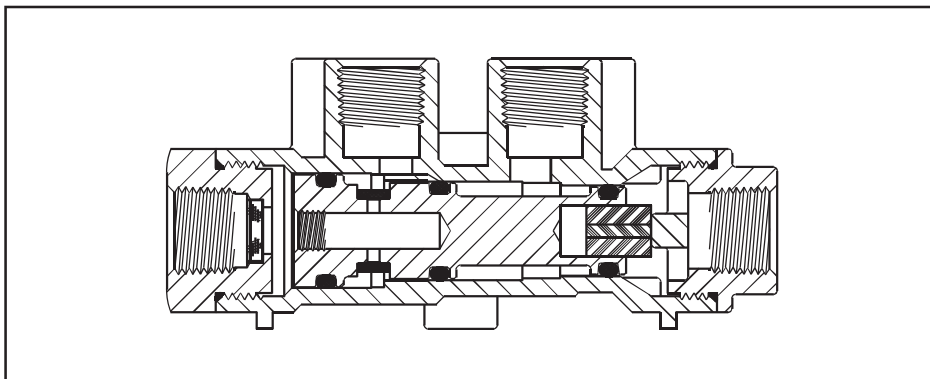
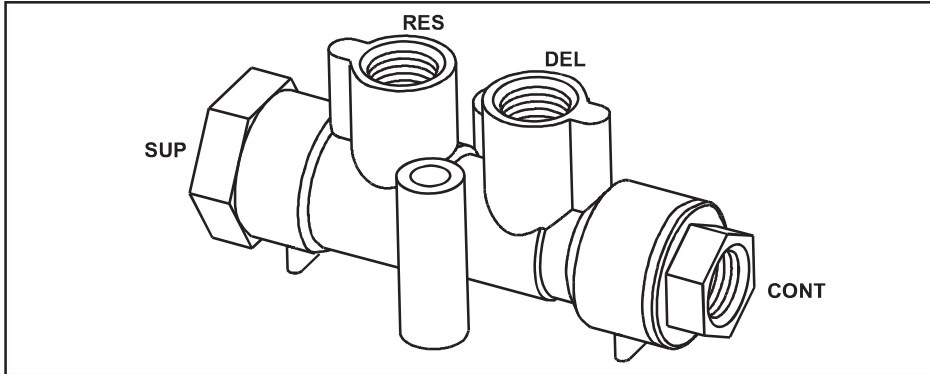


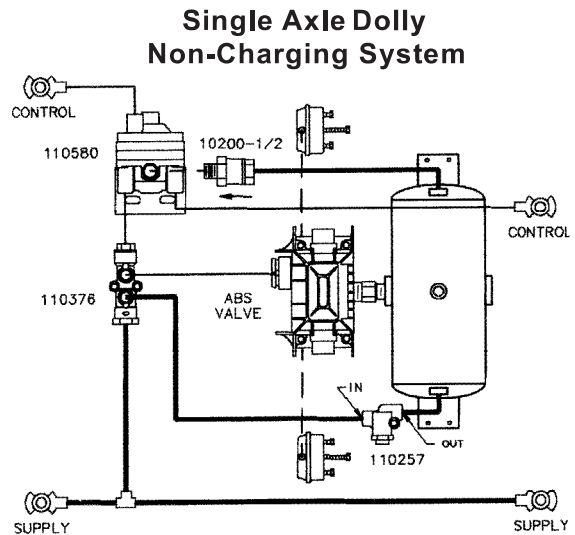
RELAY EMERGENCY VALVES

Emergency Control Valve



INFORMATION:

- Commonly used on converter dollies
- Commonly used on trailer turnable axles & trailers exempt from spring brakes
- Always used in conjunction with 110257 Emergency Brake Pressure Protection Valve
- **SPOOL ASSEMBLY 110162**
- **MINOR SPOOL KIT 110166**



PART NUMBER	PORT SIZES (NPT)			
	Supply	Control	Reservoir	Delivery
110376	3/8"	3/8"	3/8"	3/8"